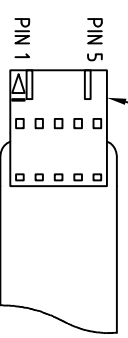


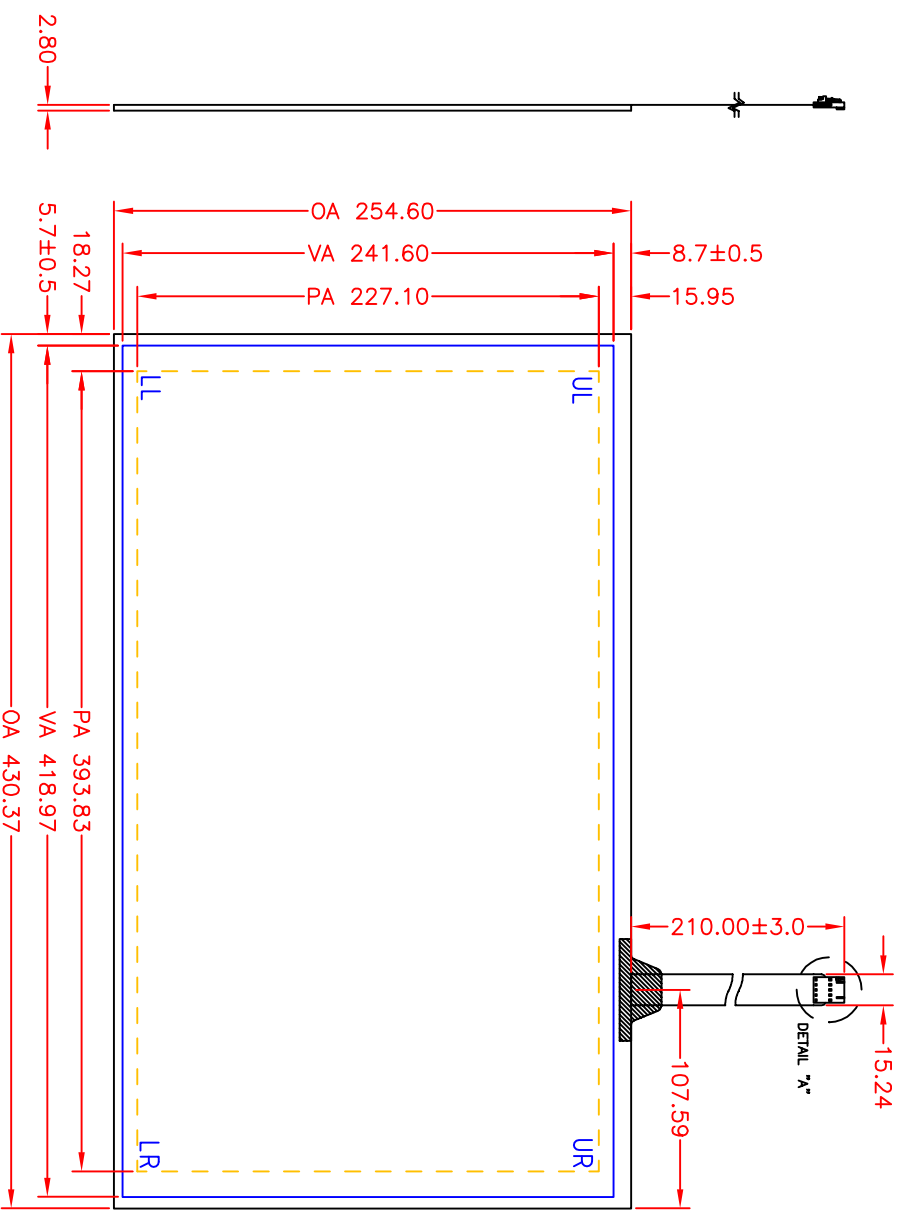
CONNECTOR HOUSING  
AMP #103959-4  
OR EQUIV



DETAIL "A"  
NOT TO SCALE

PIN OUT	
5	LR
4	UR
3	SHIELD
2	UL
1	LL

OA DIAGONAL : 500.04 [19.69"] (REF)  
VA DIAGONAL : 483.64 [19.04"] (REF)  
PA DIAGONAL : 454.62 [17.90"] (REF)



- NOTES :
1. Tail type : FPC
  2. Tail Length : 210 mm

A-02	MODIFY DRAWING LAYOUT	2009-12-30	H.Y
A	INITIAL RELEASE	2009-02-26	EC
REV	CHANGE NOTICE	DATE	DRW

DIMENSIONS		MM	TOLERANCES UNLESS OTHERWISE SPECIFIED	
X		±	DO NOT SCALE DRAWING	
XX		±0.3	THIRD ANGLE PROJECTION	
XXX		±0.15		
ANGLES		±1°		
TITLE		DRAWN BY		
Dano 達諾光電股份有限公司		Hunter Yu		
Capacitive Touch Sensor		DRAWN DATE		
430.37x 254.60 x 2.80		2009-12-30		
NOTICE OF PROPRIETARY RIGHTS		REV.		
The document is proprietary property of Dano Optoelectronic Co., Ltd. and shall not be distributed without Dano Optoelectronic Co., Ltd.'s authorization.		A-02		
P/N		SHEET		
W1-19022APA-N0		1 of 1		