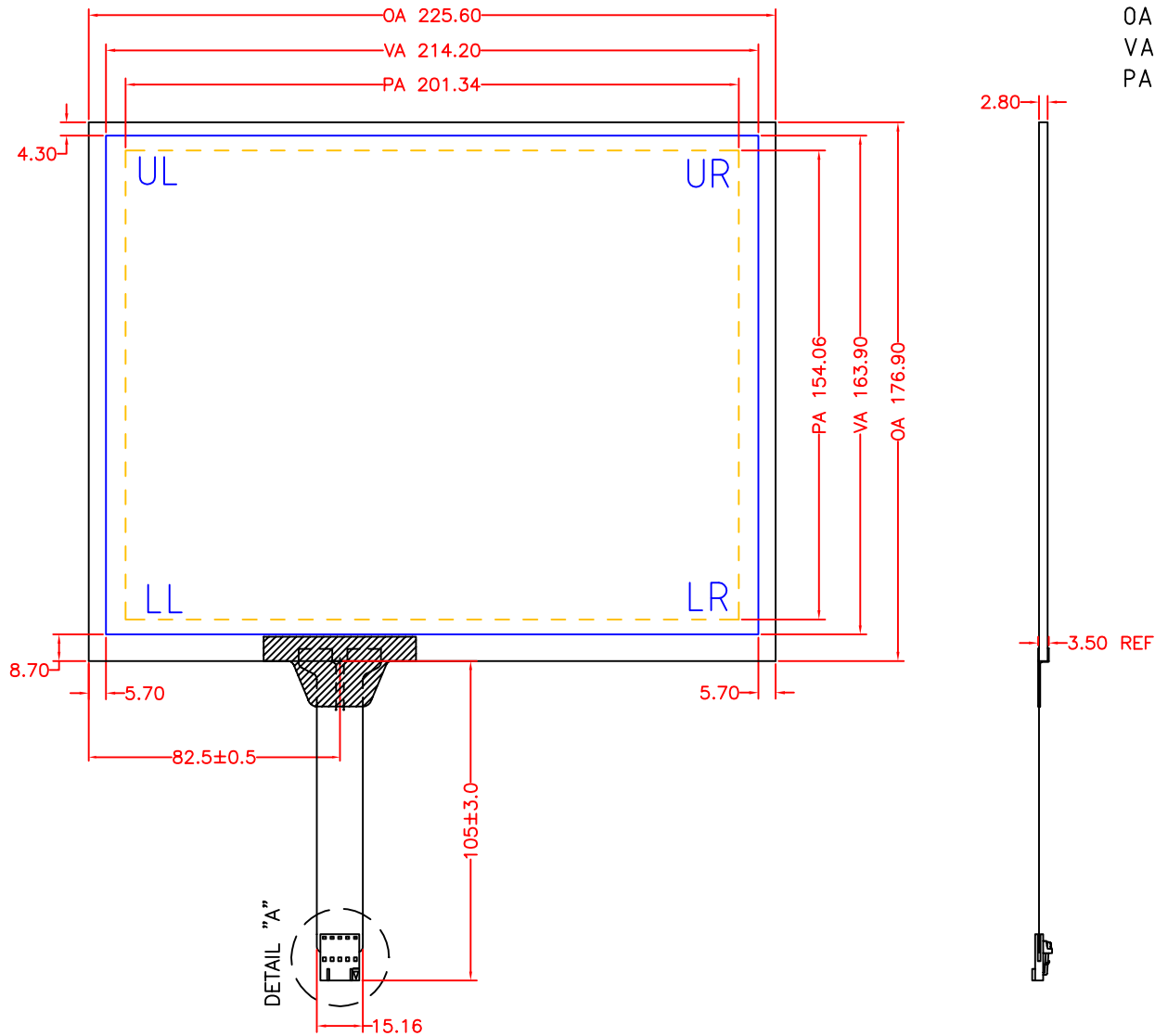


DETAIL "A"
NOT TO SCALE

PIN OUT	
5	UL
4	LL
3	SHIELD
2	LR
1	UR



OA DIAGONAL : 286.69 [11.29"] (REF)
 VA DIAGONAL : 269.71 [10.62"] (REF)
 PA DIAGONAL : 253.52 [9.99"] (REF)

NOTES :
 1. Tail type : FPC

DIMENSIONS		MM		Dano 達諾光電股份有限公司	
TOLERANCES UNLESS OTHERWISE SPECIFIED		TITLE		NOTICE OF PROPRIETARY RIGHTS	
.X	±	Capacitive Touch Sensor		The document is proprietary property of DanoTech Corp.Ltd.and may not be reproduced or distributed without Danotech authorization.	
.XX	±0.3	225.6 x 176.9 x 2.80			
.XXX	±0.15	THIRD ANGLE PROJECTION		DRAWN BY	
ANGLES	±1°	P/N		YC	
DO NOT SCALE DRAWING		F1-10632APA-G0		DRAWN DATE	
SCALE		REV.	SHEET	DRAWN DATE	
1 : 1		A-01	1 of 1	2011-08-03	

A-01	INITIAL RELEASE	2011-08-03	YC
REV	CHANGE NOTICE	DATE	DRW