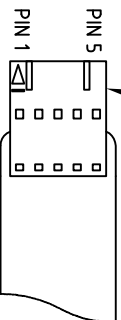
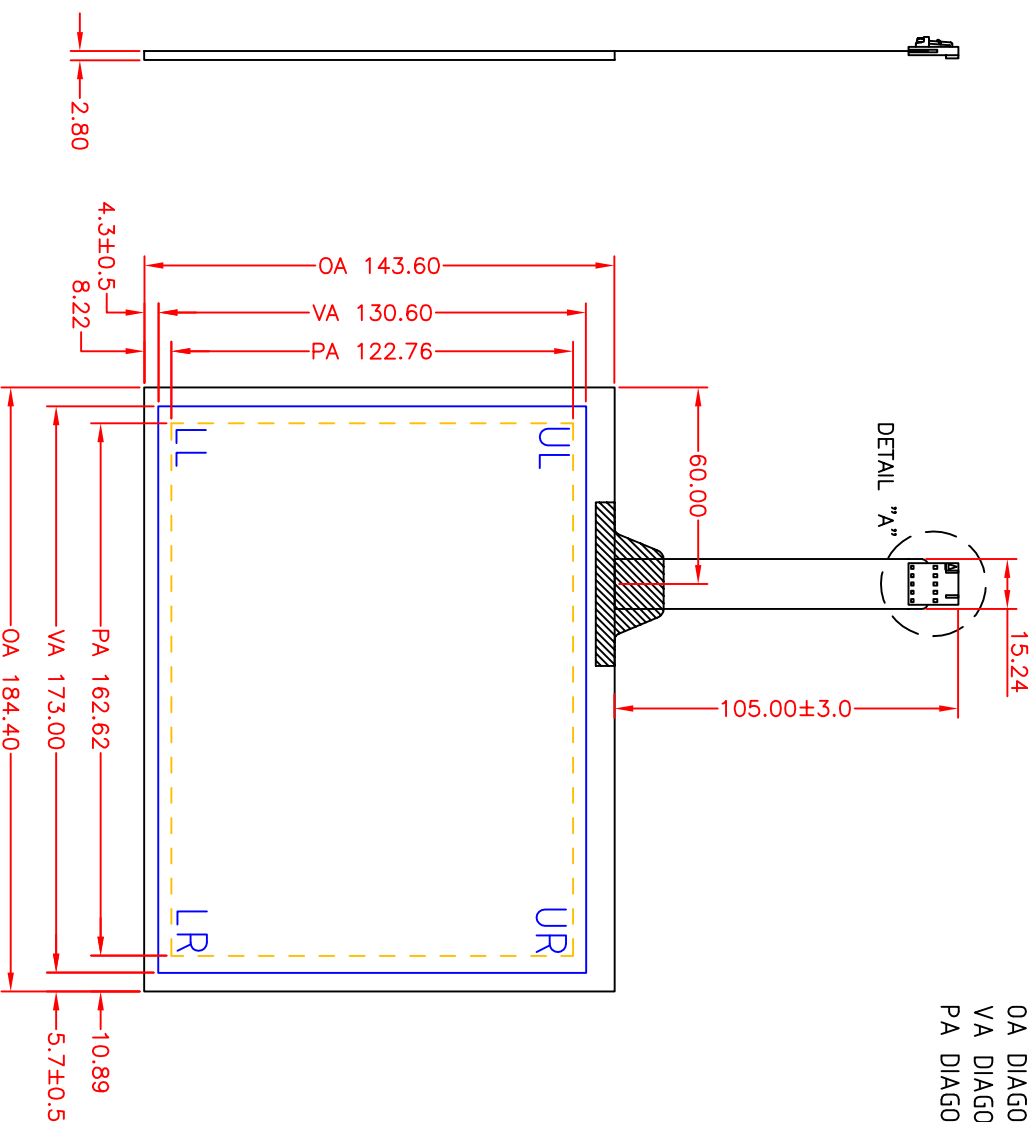


CONNECTOR HOUSING  
AMP #103959-4  
OR EQUIV



DETAIL "A"  
NOT TO SCALE

PIN OUT
5 LR
4 UR
3 SHIELD
2 UL
1 LL



OA DIAGONAL : 233.72 [9.20"] (REF)  
VA DIAGONAL : 216.76 [8.53"] (REF)  
PA DIAGONAL : 203.75 [8.02"] (REF)

NOTES :  
1. Tail type : FPC

DIMENSIONS

MM

TOLERANCES UNLESS OTHERWISE SPECIFIED

X ±  
.XX ±0.3  
.XXX ±0.15  
ANGLES ±1°

THIRD ANGLE PROJECTION



DO NOT SCALE DRAWING

SCALE

1 : 1

**Daewoo** 達諾光電股份有限公司

TITLE  
Capacitive Touch Sensor  
184.40 x 143.60 x 2.80

NOTICE OF PROPRIETARY RIGHTS  
This document is proprietary property of Daewoo Tech. Co., Ltd. and may not be reproduced or distributed without Daewoo Tech. authorization.

P/N F1-08542PAP-A-N0  
DRAWN BY Calvin

REV. A-01  
SHEET 1 of 1  
DRAWN DATE 2010-06-22

REV	DESCRIPTION	DATE	DRW
A-01	INITIAL RELEASE	2010-06-22	Calvin
	CHANGE NOTICE		